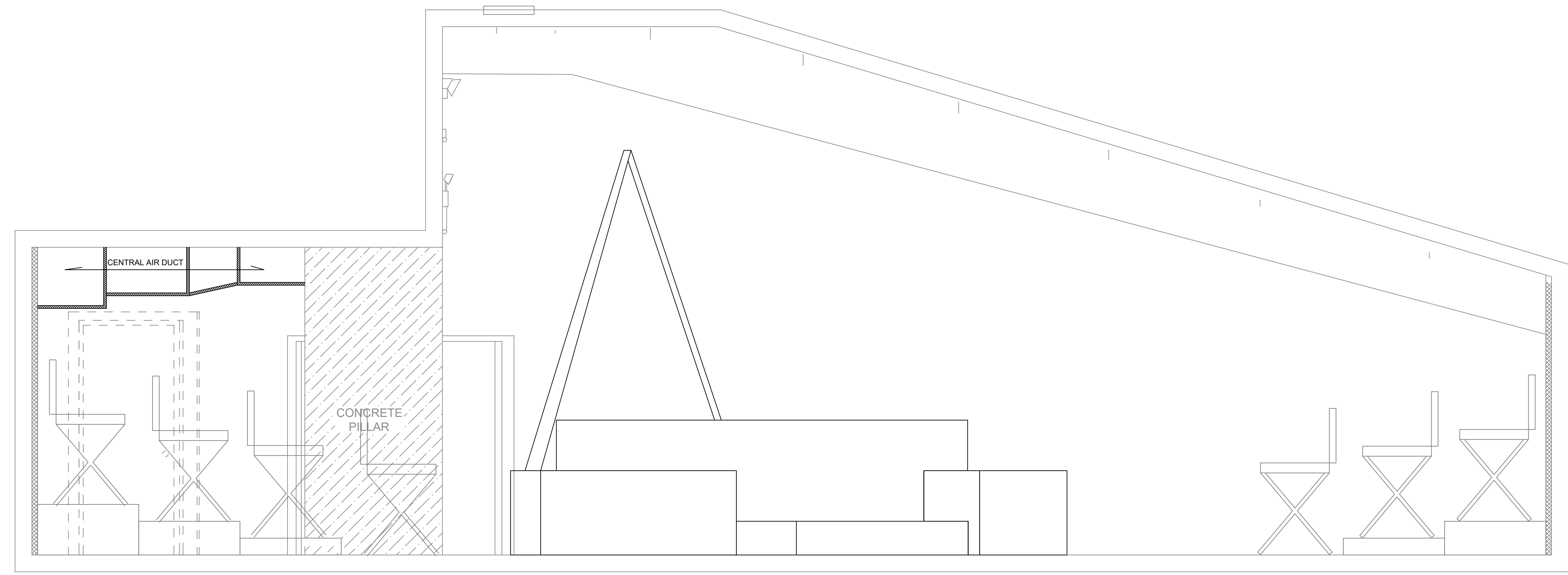
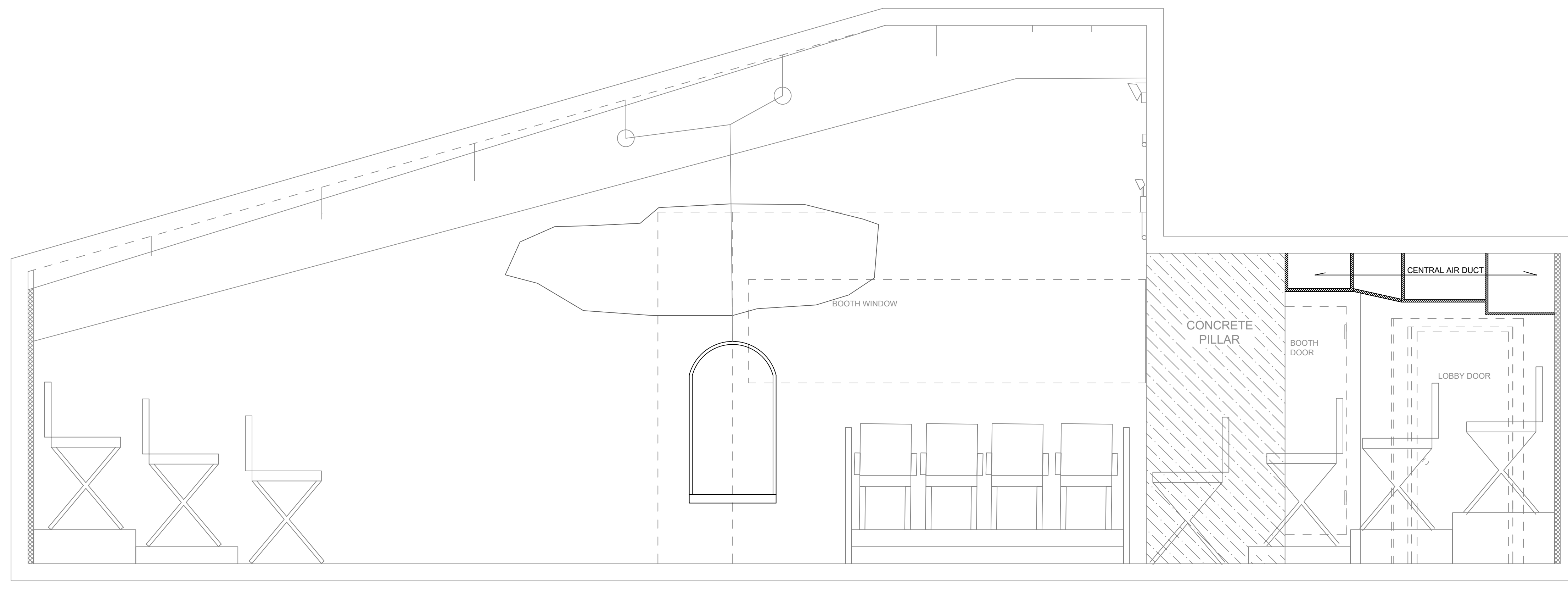


<b>SUEÑO</b> Emmerson Studio Theater		<b>Ground Plan</b>		<b>SÑ-01</b>
DIRECTOR: JESS SHOEMAKER SCENIC DESIGNER: MACHEALA BROCK TD: BOBBY JULGA		DRAFTED BY: BOBBY JULGA rjulga2000@gmail.com 414-552-6035		SCALE: 1" = 1' 2"
LAST REVISED: 09-26-2022		ELECTRICS STORAGE		



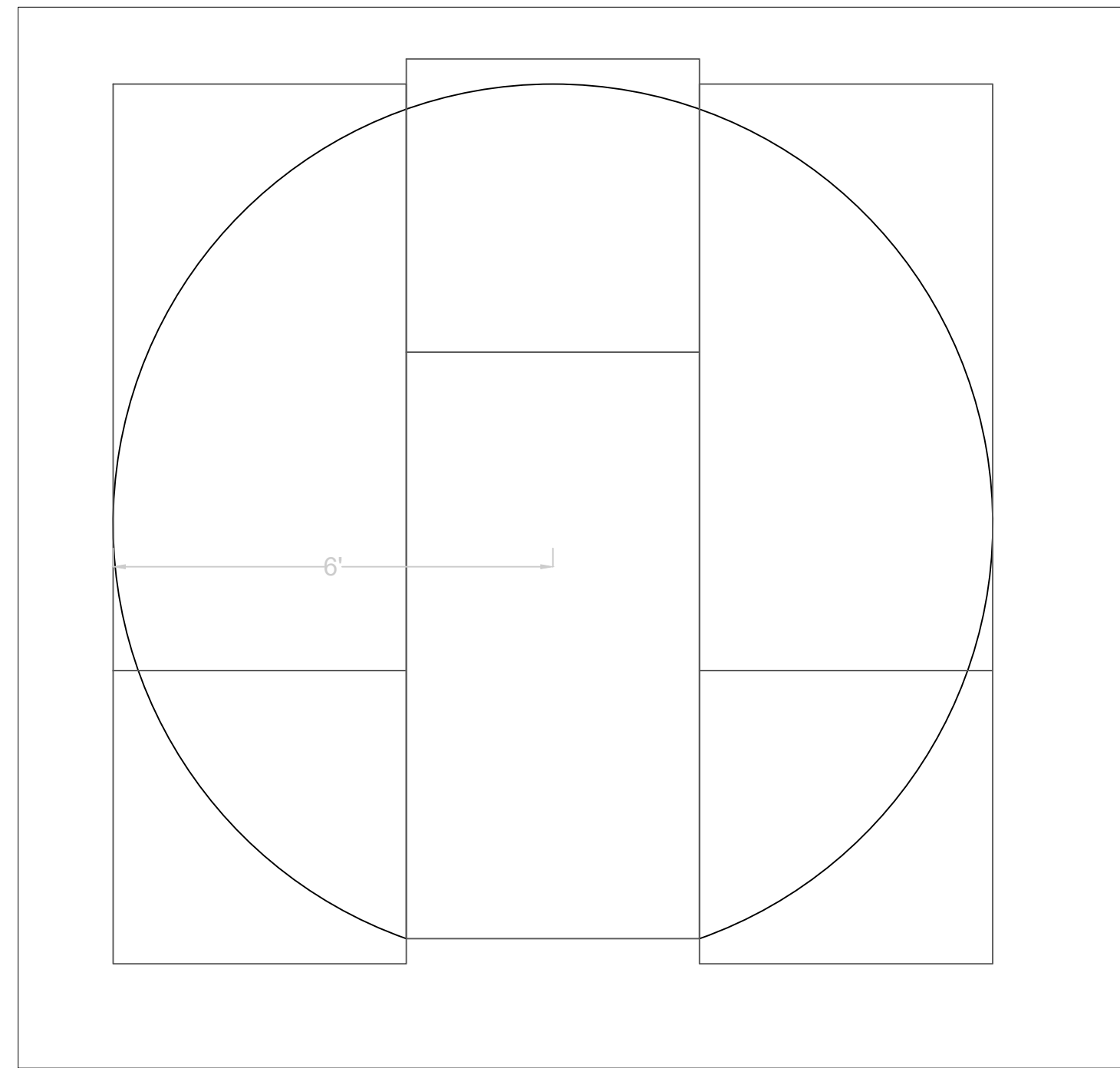
DIRECTOR:  
SCENIC DESIGNER:  
TD:  
ATD:

Jess Shoemaker  
Macheala Brock  
Bobby Julga  
N/A

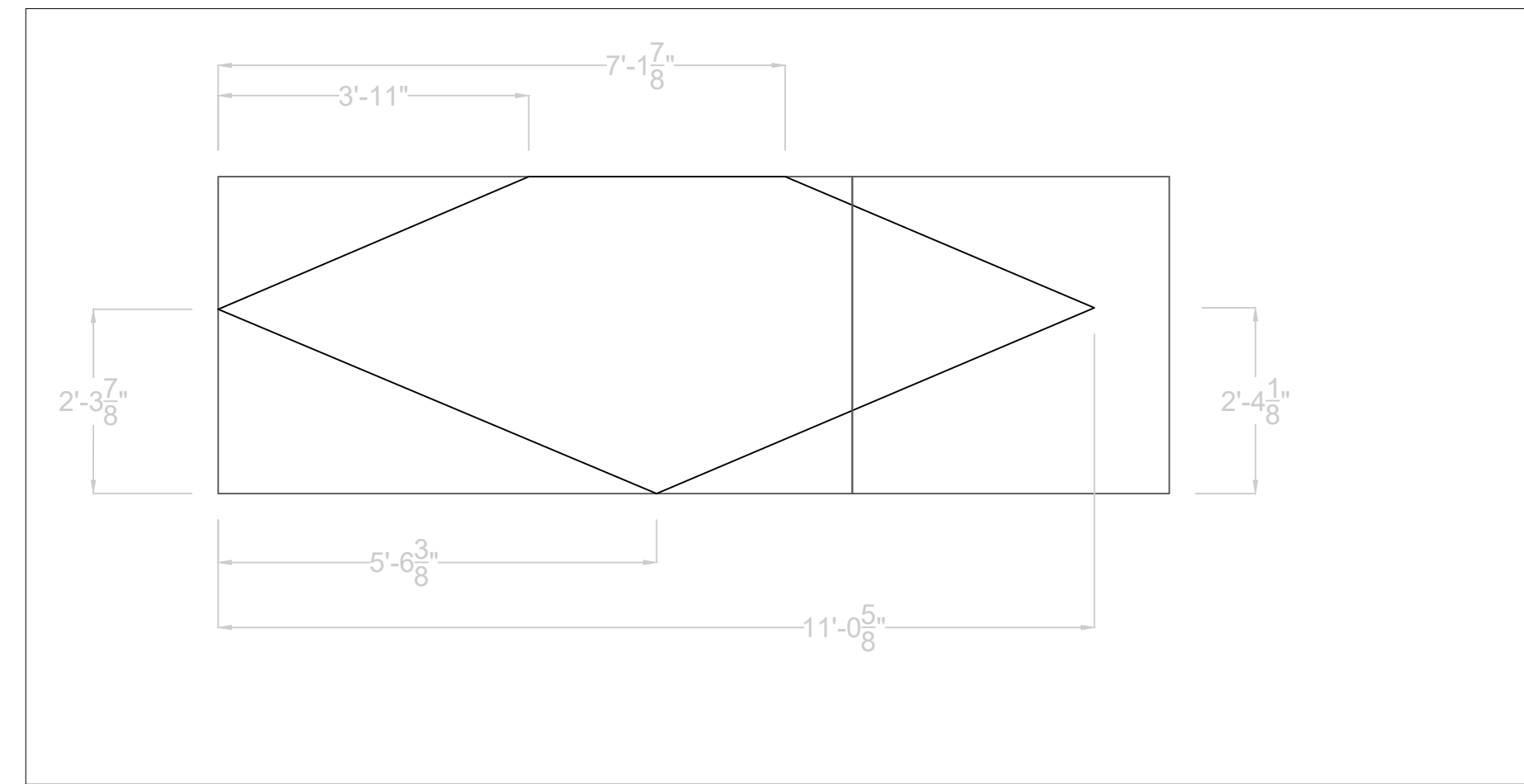
Drafted By:  
**Bobby Julga**  
rjulga2000@gmail.com  
414-552-6035

Last Revised:  
09-26-2022

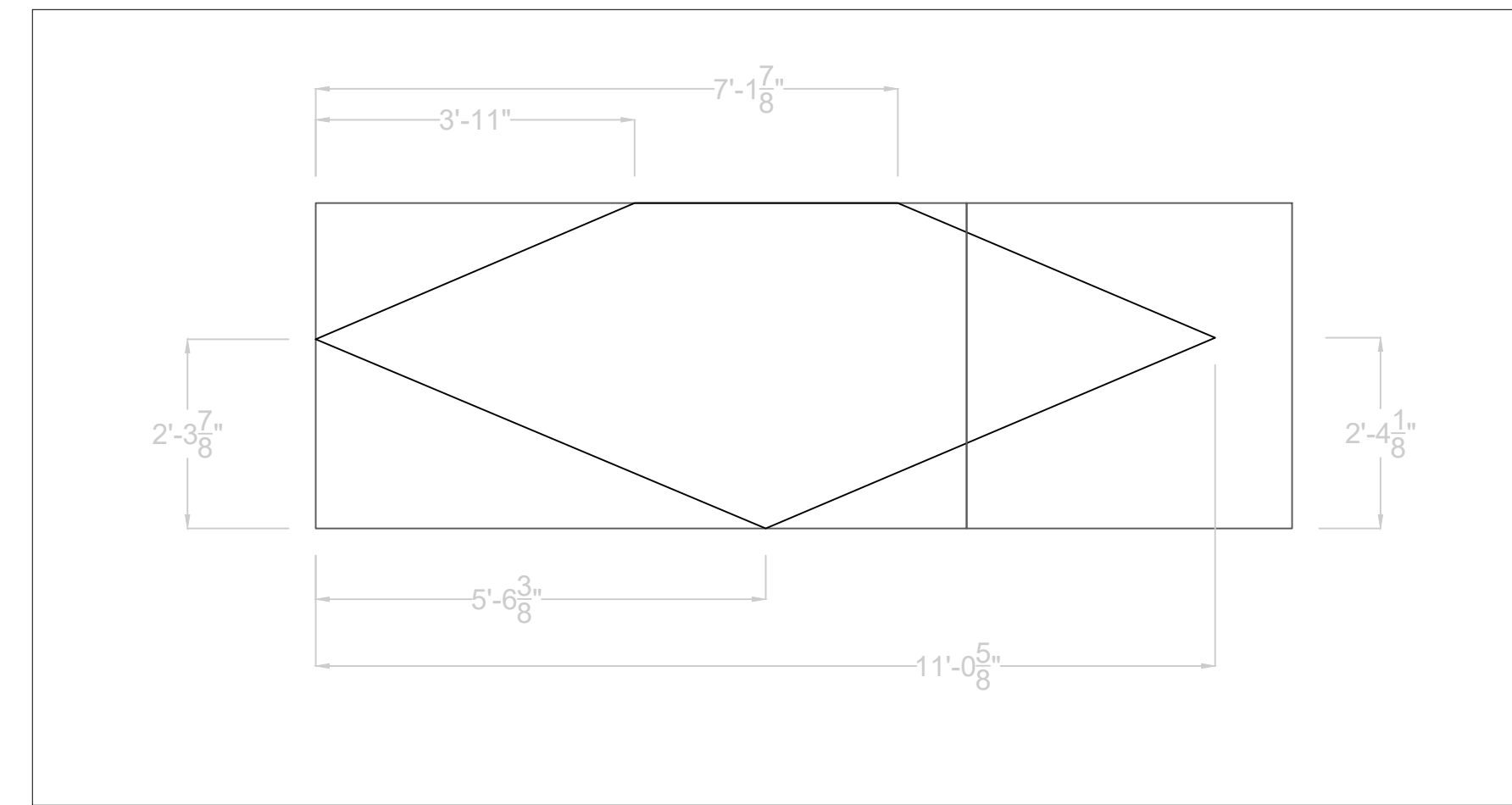
SCALE:



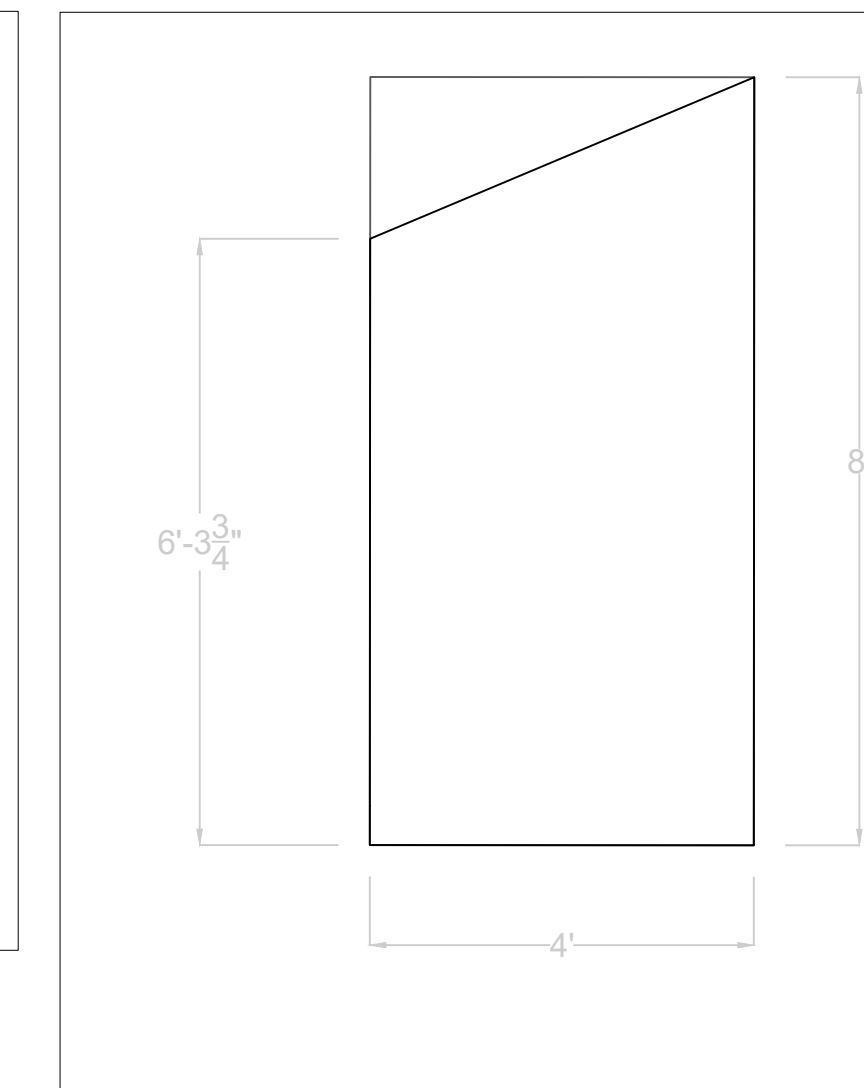
1 LID: DECK 1  
SCALE: 1/2"=1'



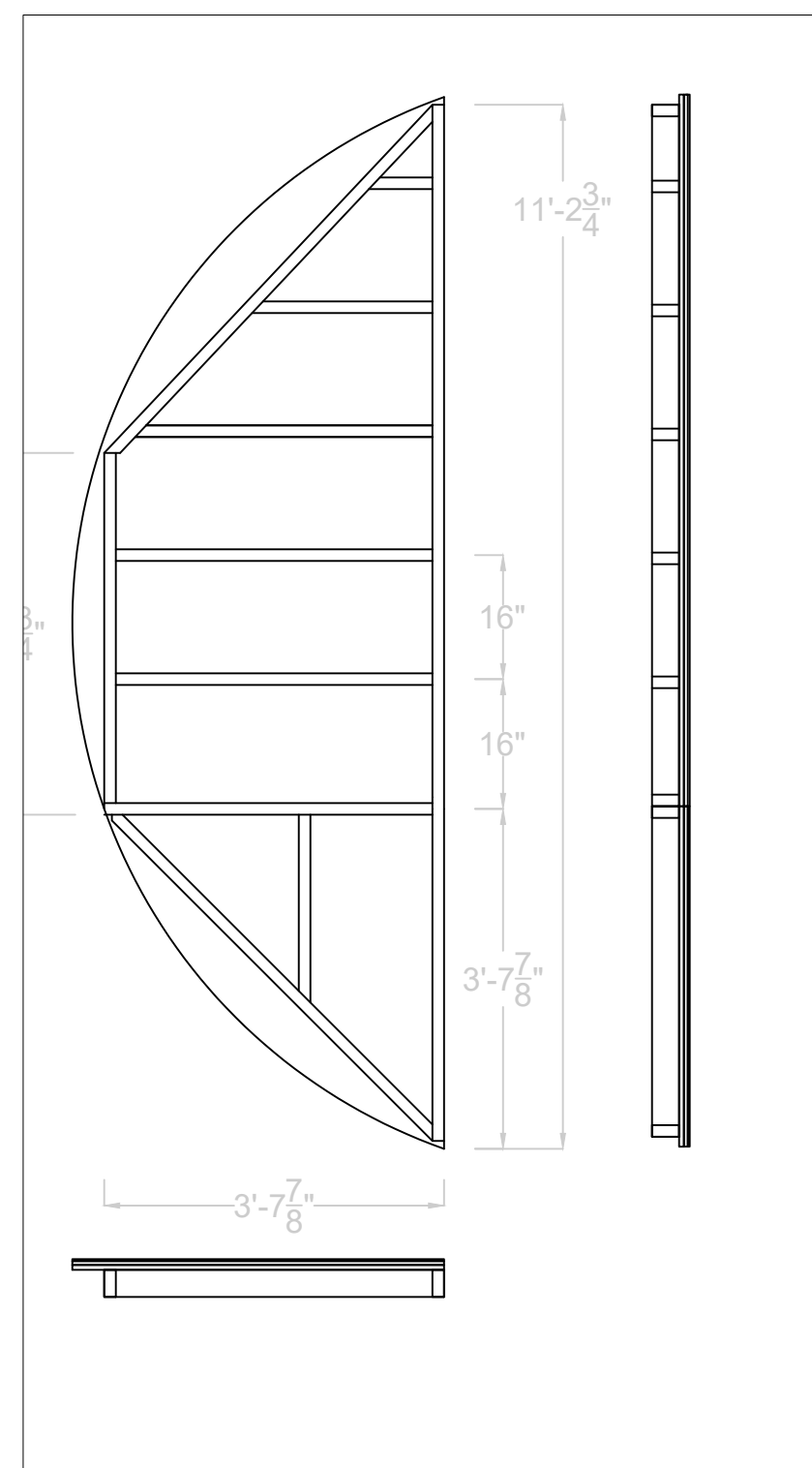
2 LID: DECK 2  
SCALE: 1/2"=1'



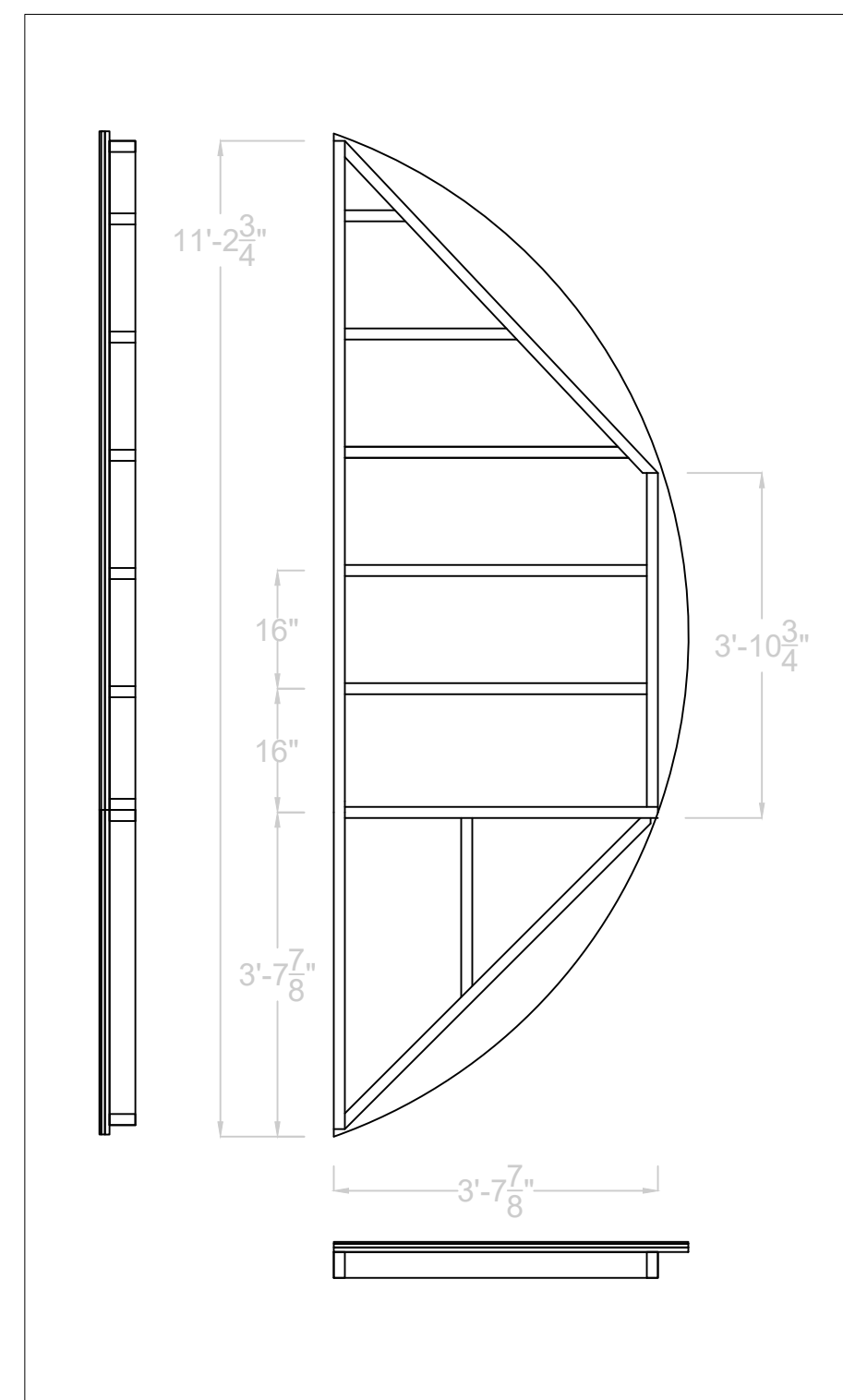
3 LID: DECK 3  
SCALE: 1/2"=1'



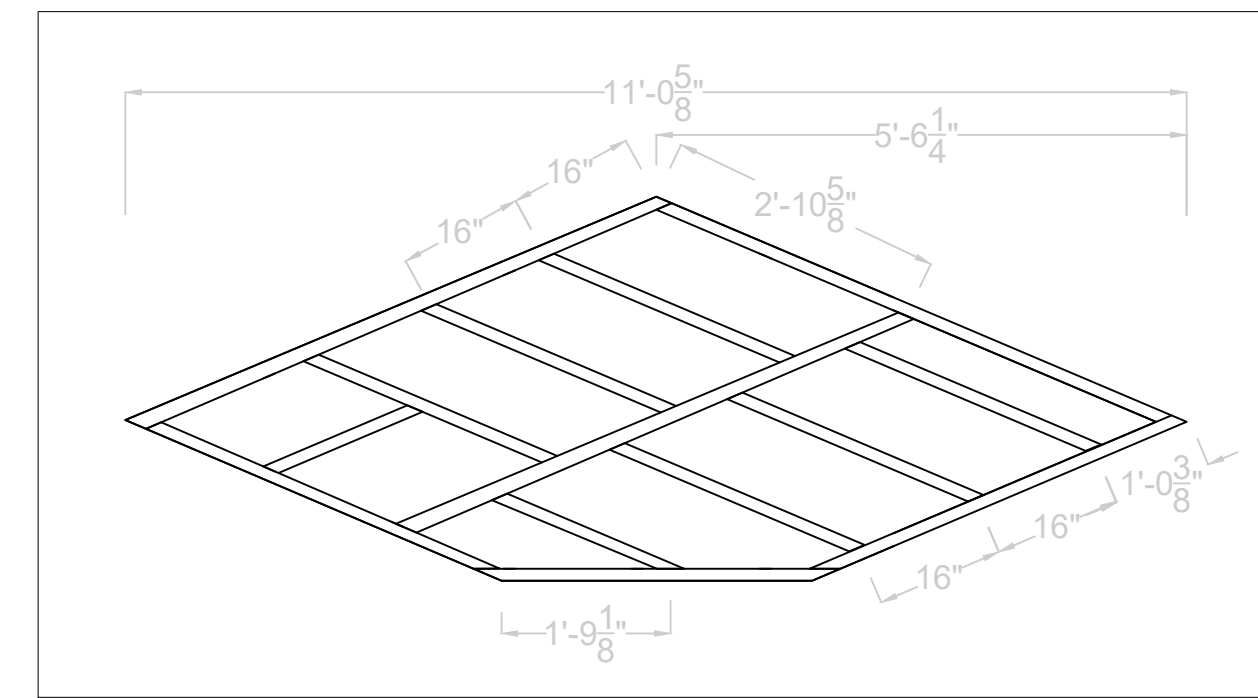
4 LID DECK 4  
SCALE: 1/2"=1'



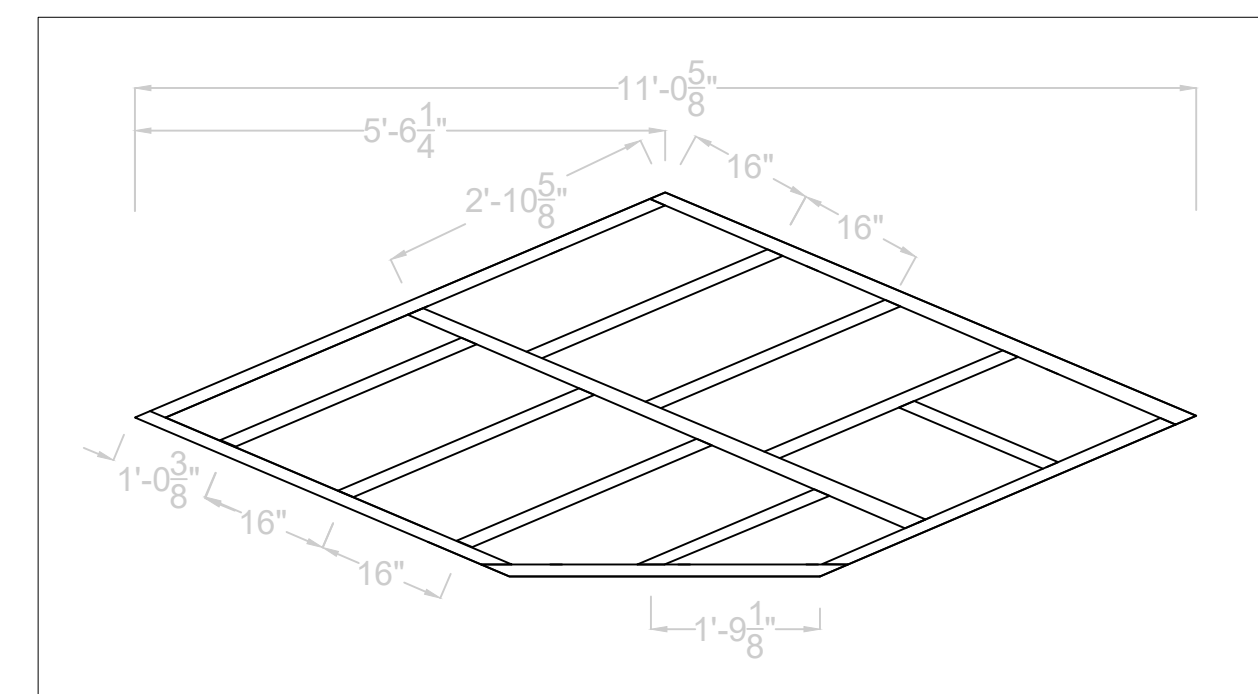
5 DECK 1 Plug A  
SCALE: 1/2"=1'



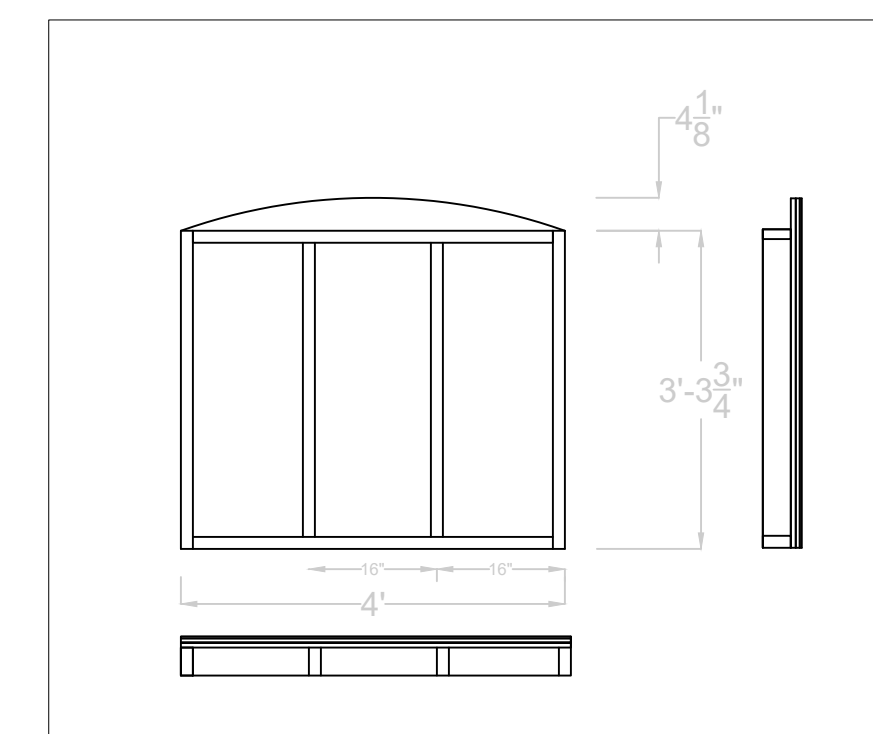
7 DECK 1 Plug C  
SCALE: 1/2"=1'



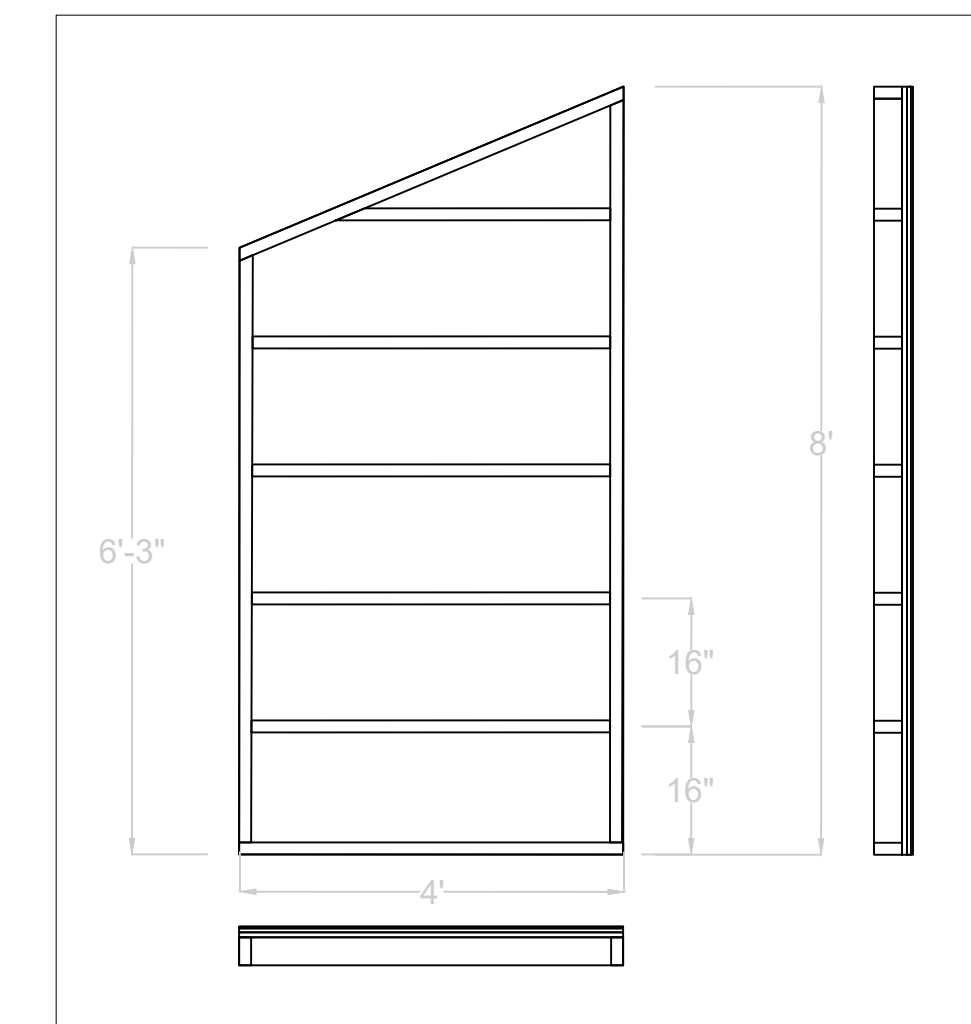
11 DECK 3  
SCALE: 1/2"=1'



10 DECK 2  
SCALE: 1/2"=1'



6 DECK 1 Plug B  
SCALE: 1/2"=1'



12 DECK 4  
SCALE: 1/2"=1'

## NOTES:

- Build Frame to 5/8" plywood Lid
- Attach 5/8" Lid with 1-5/8" screws and glue
- Assemble with glue and 3" screws
- Attach 1/2" asphalt sheathing with wide crown staples

SÑ-03

SCALE: 1/2"=1'

Last Revised: 09-26-2022

Drafted By: Bobby Julga  
bjulga2000@gmail.com  
414-552-6035

Jess Shoemaker  
Macheala Brock  
Bobby Julga  
N/A

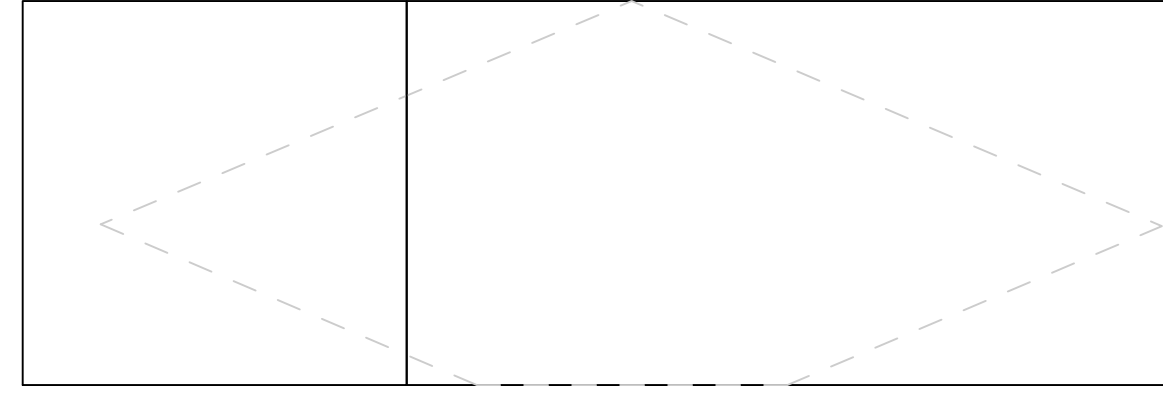
DIRECTOR: SCENIC DESIGNER:  
TD: ATD:

## Deck Layout

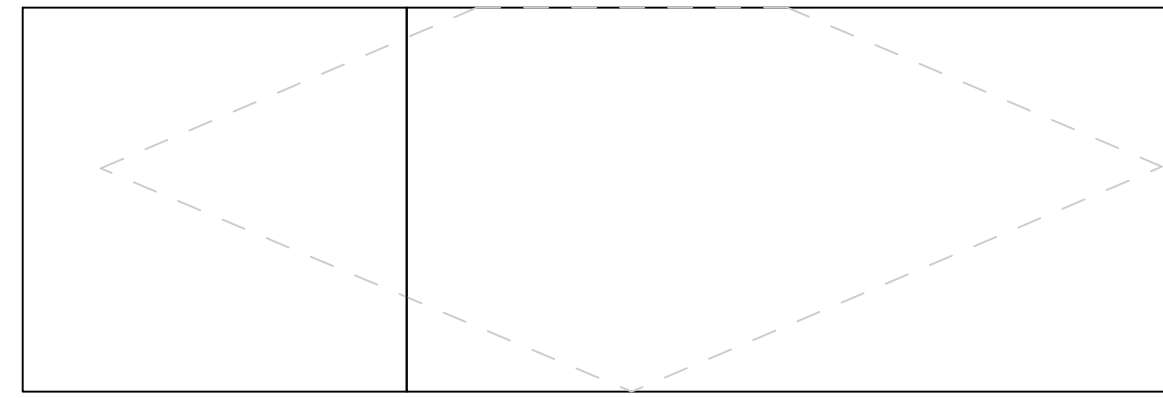
SUEÑO  
Emerson Studio Theater

1/2"=1'

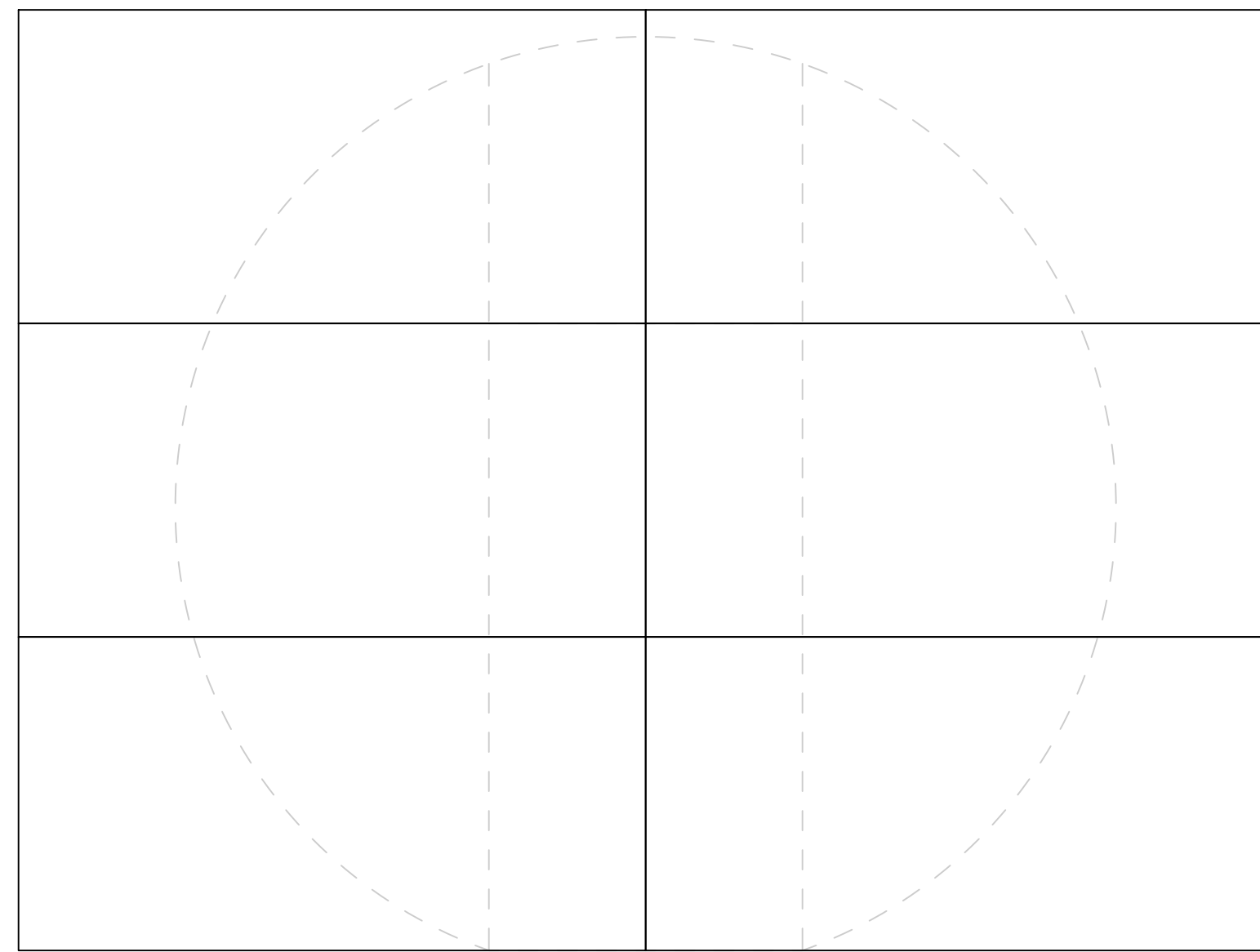
1 LID: DECK 2 Sheeting  
SCALE: 1/2"=1'



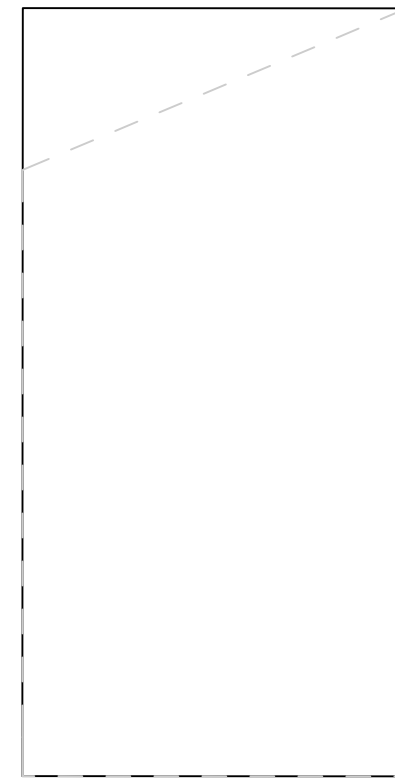
1 LID: DECK 3 Sheeting  
SCALE: 1/2"=1'



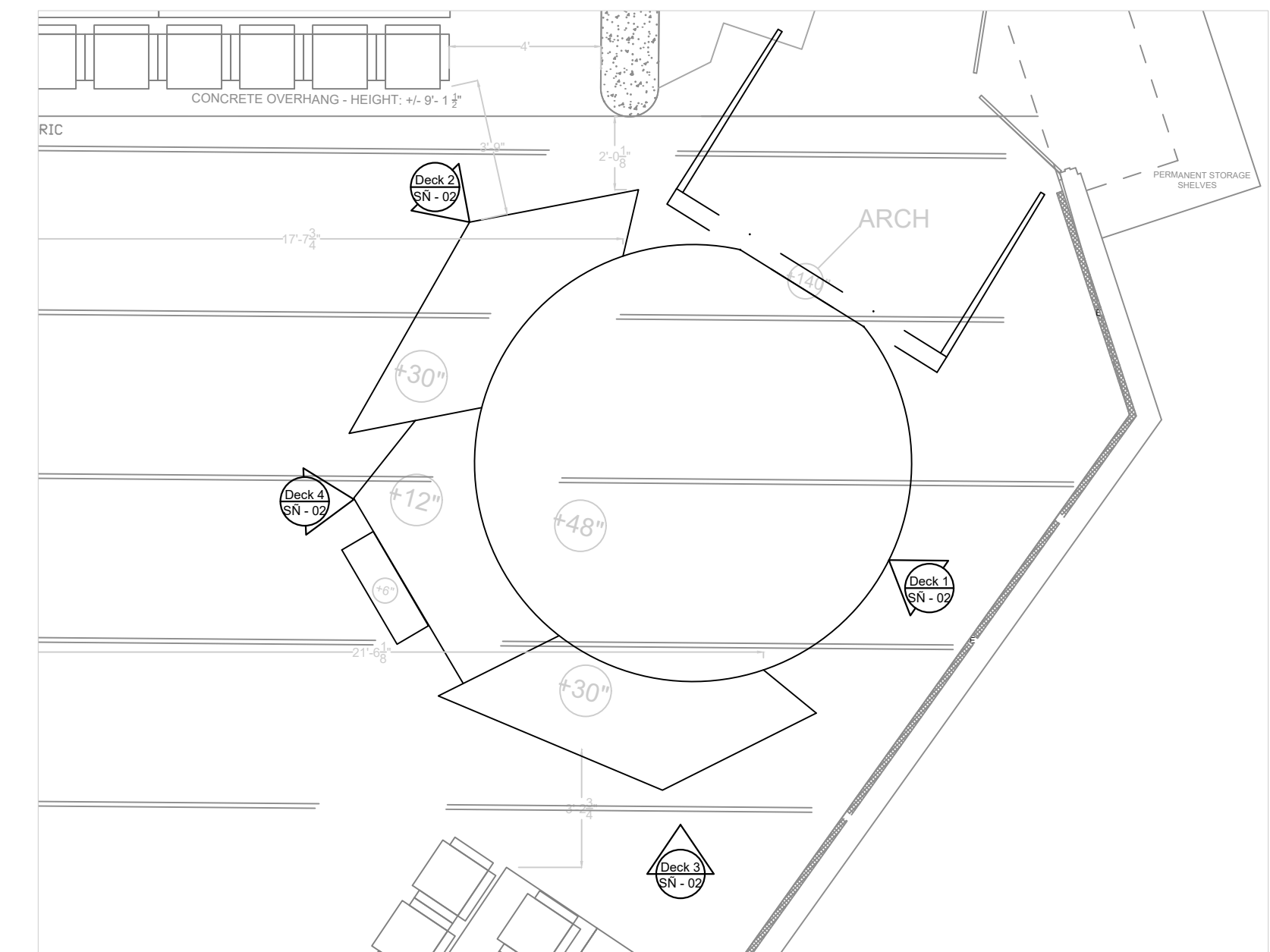
1 LID: DECK 1 Sheeting  
SCALE: 1/2"=1'

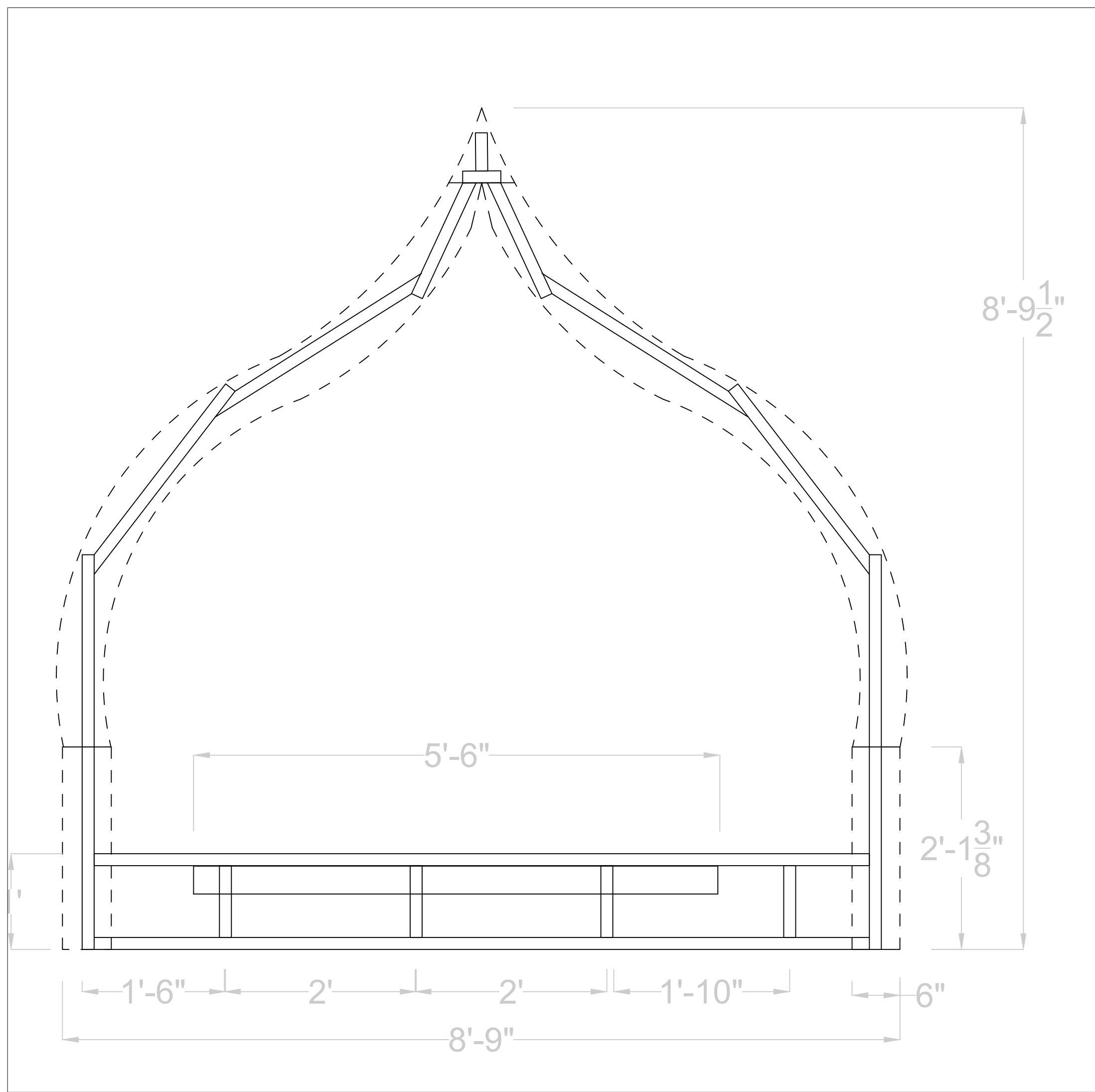


1 LID: DECK 4 Sheeting  
SCALE: 1/2"=1'

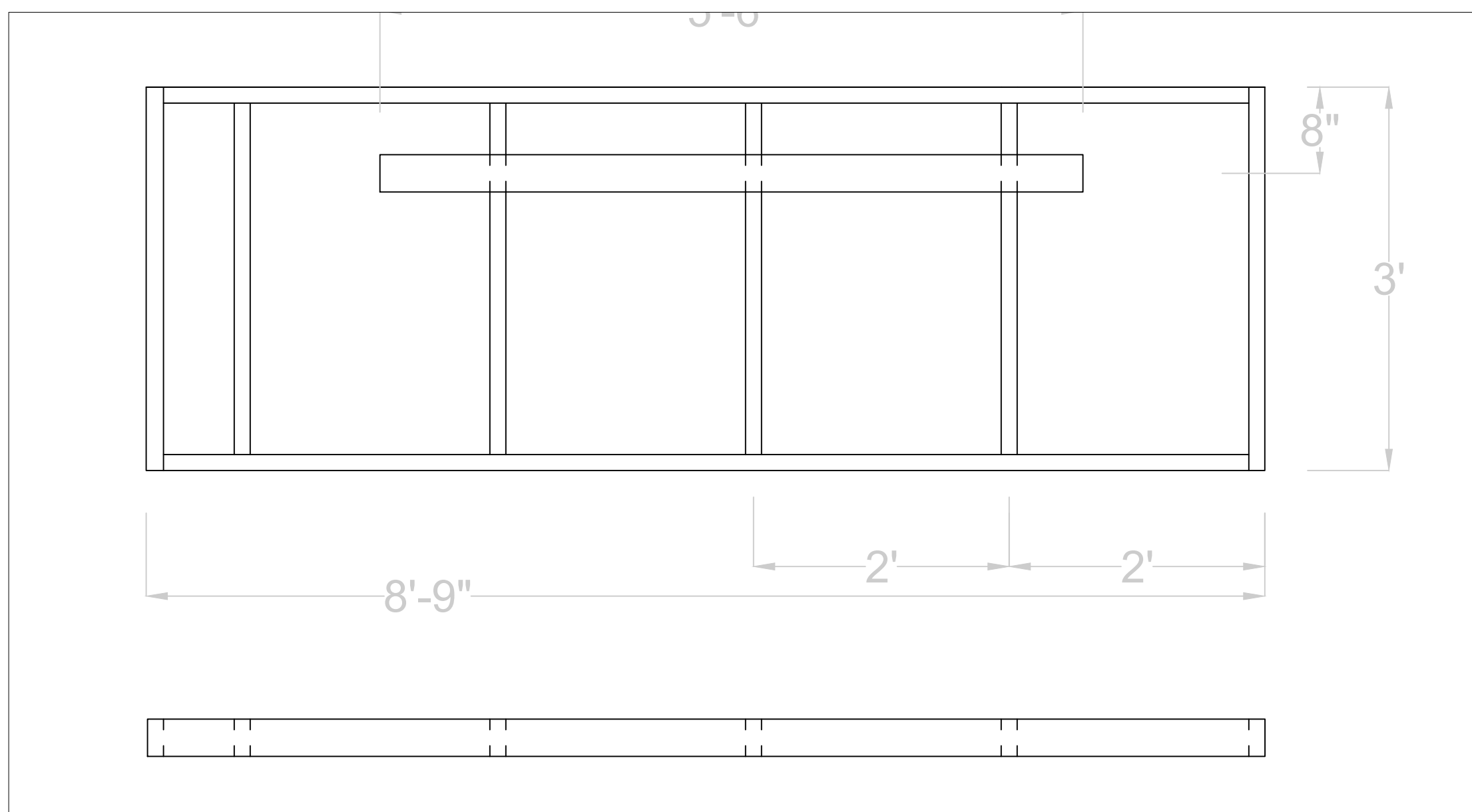


1/4"=1'

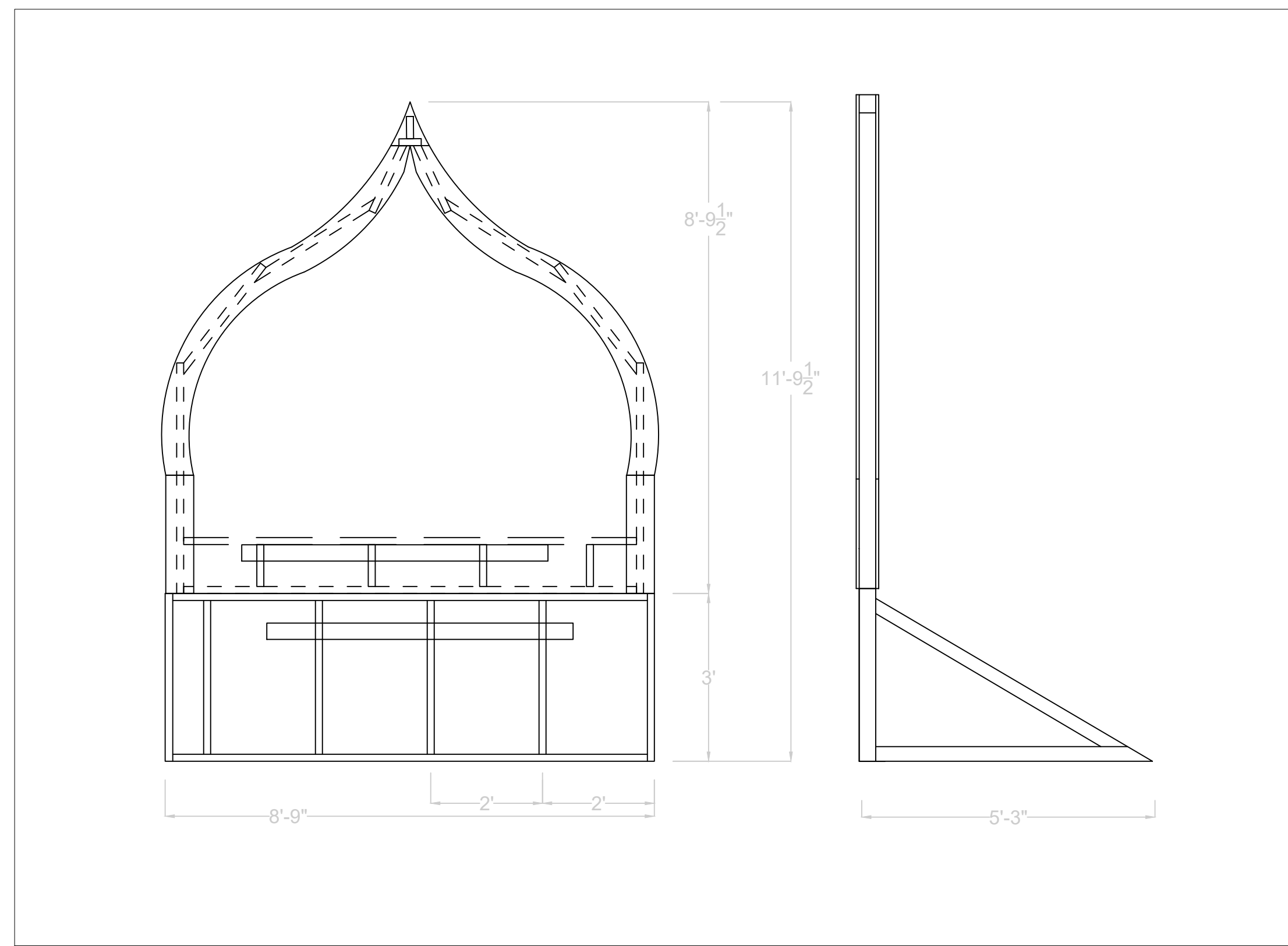




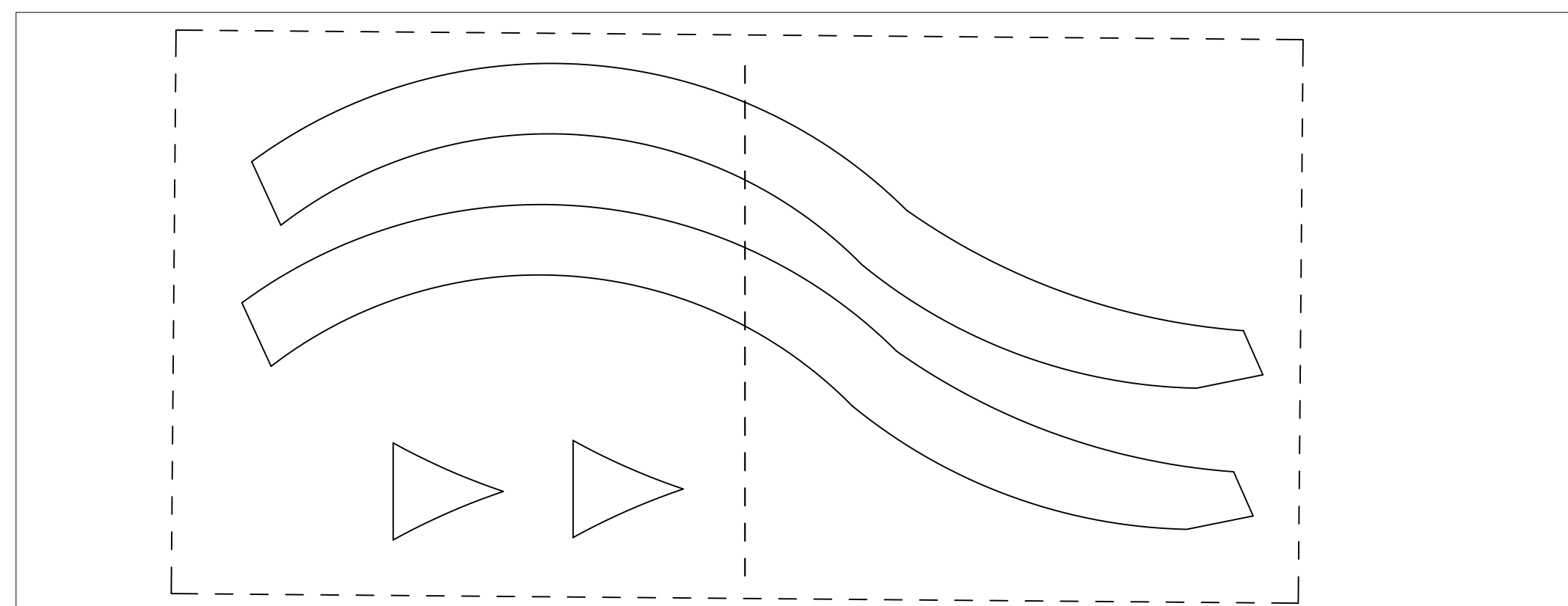
1 PALACE ARCH  
SCALE: 1"=1'



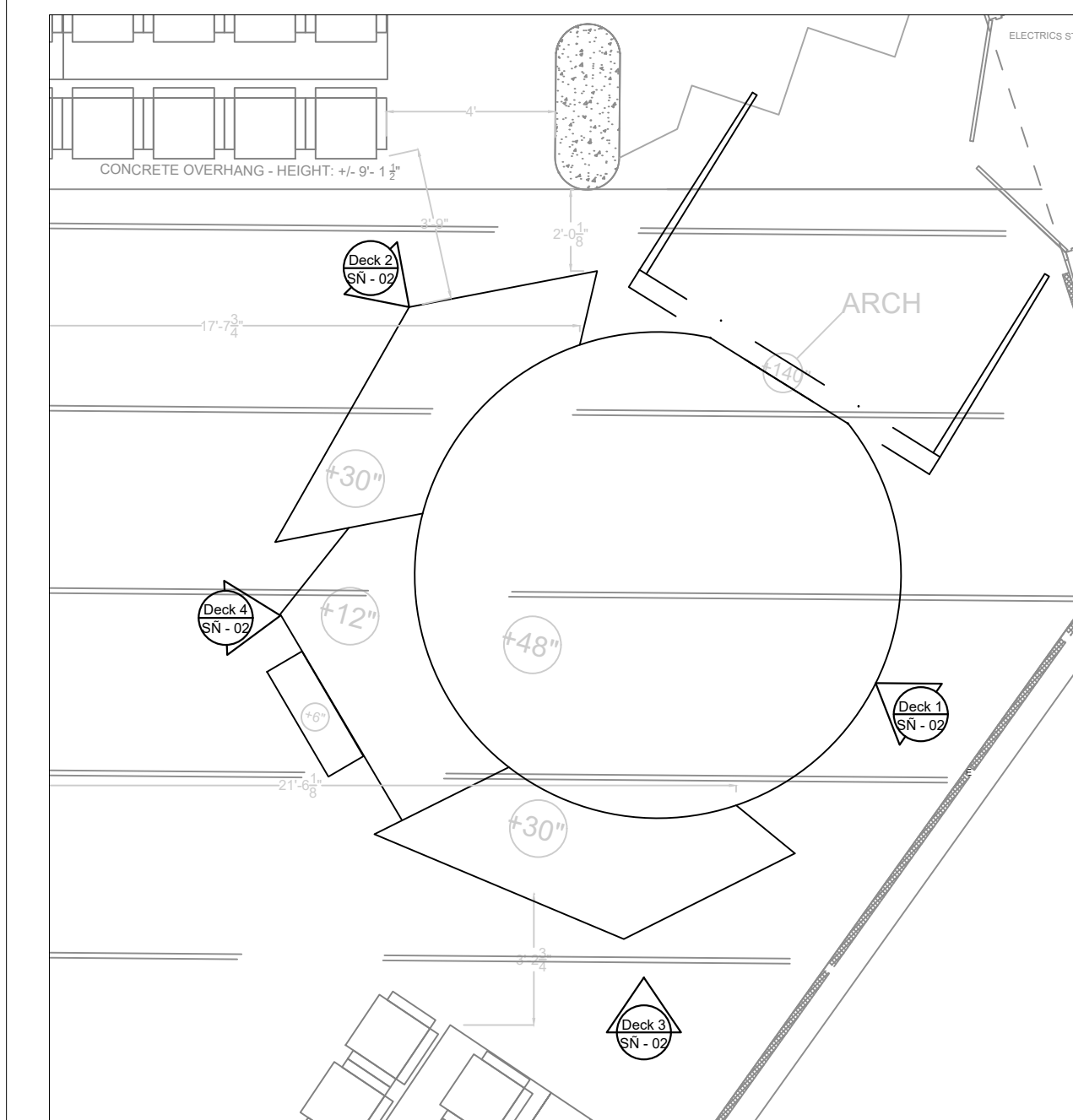
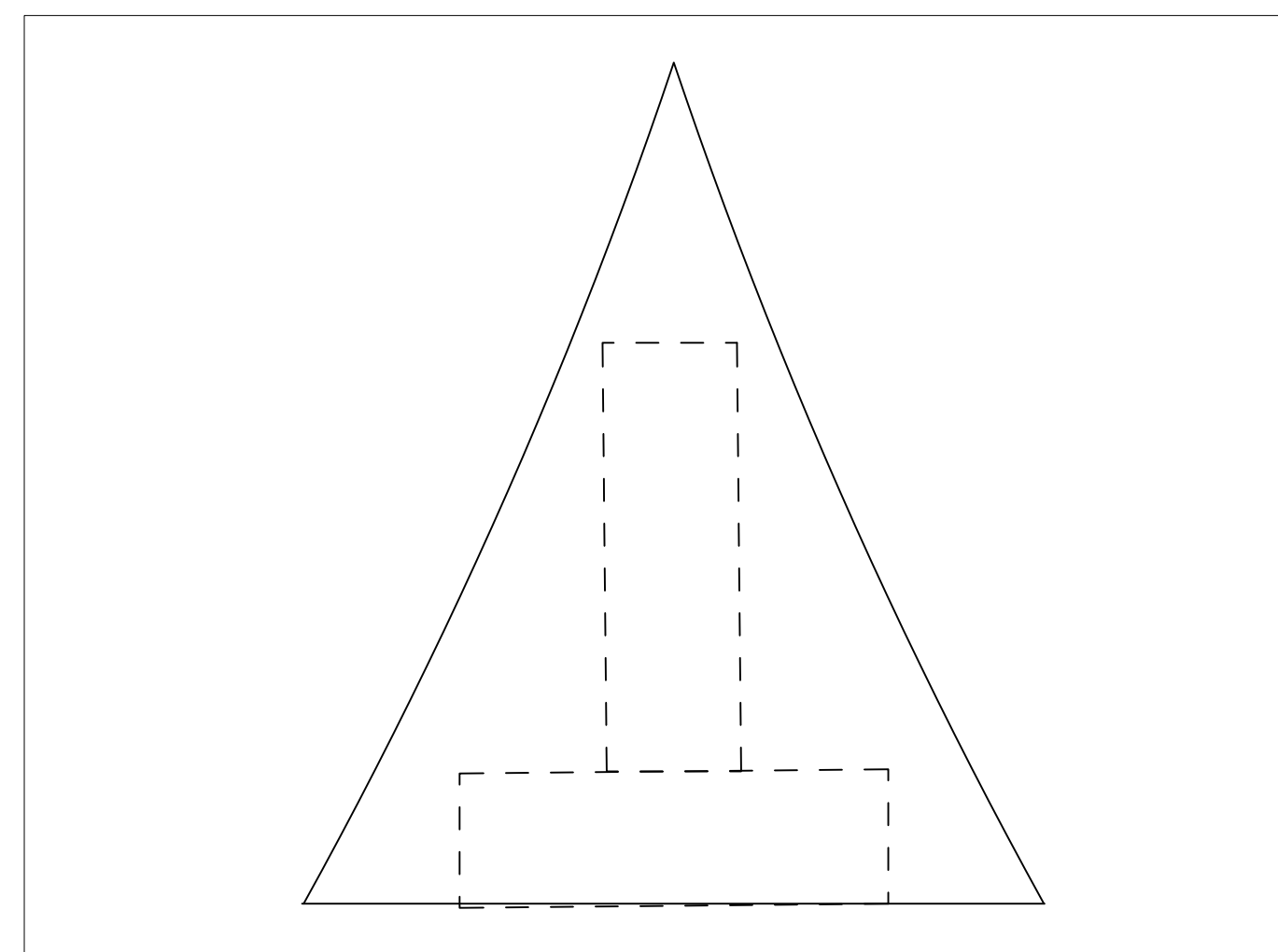
3 STUD WALL  
SCALE: 1"=1'



2 PALACE ARCH W/ STUD WALL  
SCALE: 1/2"=1'



4 ARCH TEMPLATE  
SCALE: 1"=1'



5 Ground Plan  
SCALE: 1/4"=1'

## NOTES:

- Trace Template on 4x8 ply
- Cut out 2 arches a total of 2 sheets of ply
- Build Frame to the arch
- Sandwich the frame with the other arch piece
- Cut Bendy board Strips and cover the outside and inside
- Build stud wall
- Build Top Triangle
- Assemble in Space
- Attach in Space

